

Aquaculture



# MINI AB AQUA

Compact and reliable aquacultural incinerator for high moisture content fish farm and marine waste. Maintain your biosecurity.



Maintain your biosecurity through securely destroying a complete range of Aquacultural and Fish Farm waste. Designed and built along the latest advances in marine incineration. Having a multi layered brick based refractory achieving a 40% reduction in fuel consumption compared to alternative solutions.

Top loading with reinforced concrete for hard wearing easy operation. DEFRA approved and compliant with EU Animal By Products Regulations. Not all incinerators are suitable for aquacultural waste, which is why our machines have been optimised to effectively handle your waste requirements completely.

## Machine Specification

External L x W x H (mm)	2975 x 2160 x 1890/3775
Internal L x W x H (mm)	970 x 720 x 700
Chamber Volume (m <sup>3</sup> )	0.43
Weight (approx tonnes)	2.3
Nominal Burn Rate UK* (kg/hr)	<50
Burn Rate [Export Only]* (kg/hr)	50 - 75
Thermal Capacity (kW)	260
Power Supply 50/60 hz (three phase)	220 - 250v (single phase 110-120v on request)
Door Aperture	915 x 690
Control Panel	AIC
Fuel Types	Diesel, LPG, N-Gas
Insulation Board	25mm
Insulation Fire Brick	Grade E23
Fire Brick (Alumina)	42.5%

\*We reserve the right to change the specification, dimensions and quality of materials from time to time, so long as the alteration is minor or an improvement to the said product.

## Primary Chamber

- Pre-cast block impact zone protecting refractory lining during loading.
- Heavily insulated internal brick refractory, constructed along an interlocking systems to ensure maximum strength and resilience.
- Premium grade high alumina content refractory brick work delivering optimal thermal retention.
- Top loading counter balanced insulated access lid.
- Temperature controlled waste ignition burner automatic on-off, complete with internal air fans.

## Secondary Chamber

- Fully insulated internal refractory lining. Constructed from high grade low thermal mass insulation.
- Temperature controlled Secondary chamber burnout burner with automatic on-off control, complete with internal air fans.
- Integrated combustion burner air fans automatically controlling distribution to designated areas.
- Temperature sensor mounting point at the top of the chamber, ensuring the chamber reaches the required 850°C minimum, with a 2 second retention time.

## Recommended Waste Types

	Fish Farms	✓
	Fish Wholesalers	✓
	General Fish Waste	✓

Aquaculture

# MINI AB AQUA



## Waste Loading and De-Ashing

The aquacultural range of incinerators are designed for top loading directly into the primary chamber. Loading can be manual or mechanically through digger or hydraulic bin tipper. To be loaded no more than once per day prior to operation. The incineration process will reduce the waste to approximately 3% volume, ash. The ash should be removed before the following waste is loaded to ensure optimum burn rates. Optimised for high moisture waste Optional de-ashing doors are available.

## The Addfield Difference

- Pre-Fabricated 8mm & 10 mm robust mild steel casing, seam welded and suitably stiffened/ braced where necessary.
- Optimised loading chamber for maximum operational capacity.
- Lightweight resilient refractory fibre insulated lid, providing a tight seal, giving excellent thermal efficiency.
- Counterweighted loading chamber lid for ease of use.
- Primary chamber lining thickness 180mm rated up-to 1450°C.
- Premium paint finish - Steel structures are painted using a two pack high grade paint system.
- Multi-layered refractory lining using fire bricks, insulation board and insulation bricks, improving thermal efficiency.



## Additional Operation Equipment



### Bin Tipper

The Bin Tipper unit empties waste within the bin using a unique electro-hydraulic mechanism that can lift and tip more than 150kg. Hands free loading ensures operators safety, when dealing with hazardous waste.



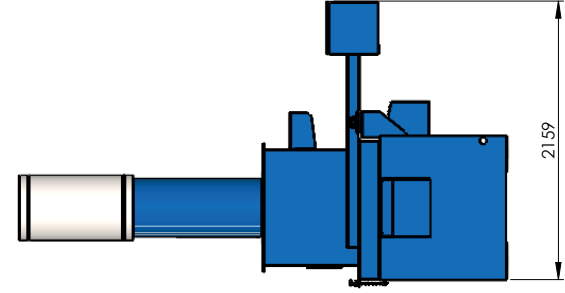
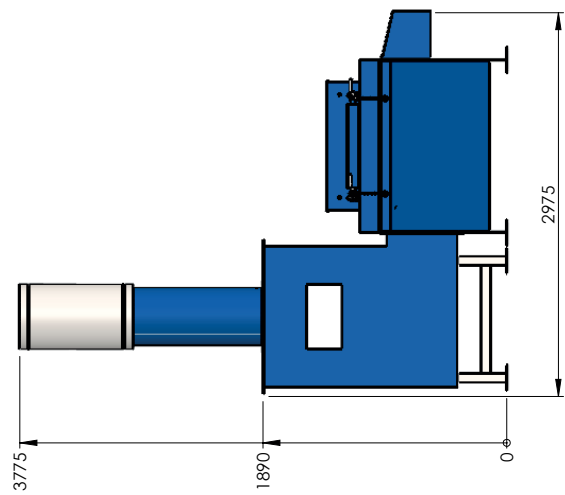
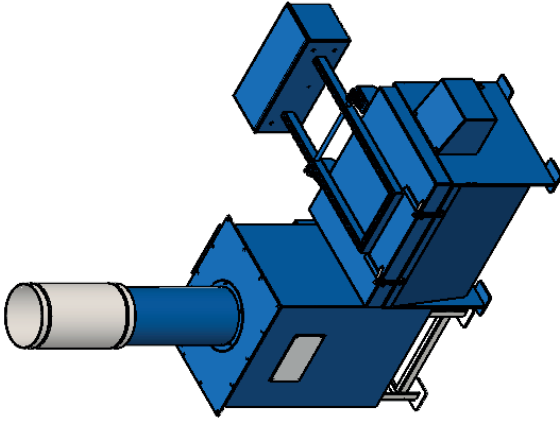
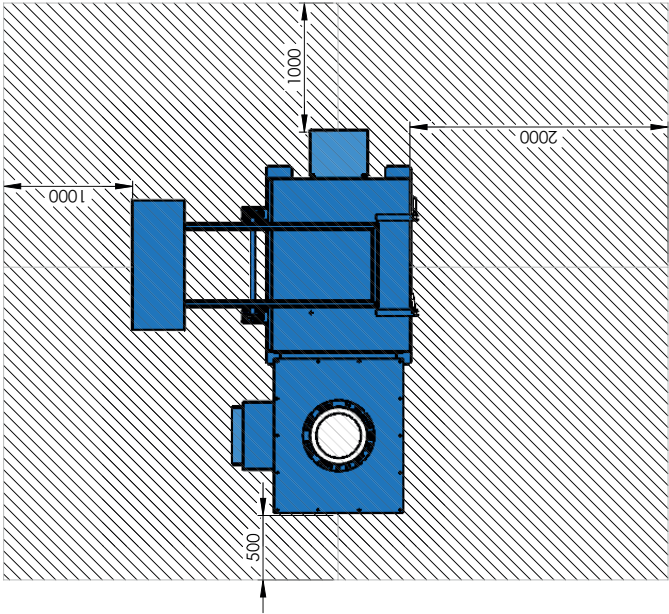
### Fuel Tank

Allowing you to operate the incinerator in all locations as well as providing a backup to your traditional supply. Available in 1000 to 5000 litre capacity. Fuel can be safely stored and monitored in close proximity to your incinerator.



### Control Panel

Specially designed control panels, to manage your incineration. Pre-programmed and able to be manually adjusted for optimal results. Push button and touch screen control with optional data logging system.



MATERIAL: N/A  
FINISH: N/A

WEIGHT: 1879.48 Kg



THIRD ANGLE PROJECTION  
(UNLESS STATED OTHERWISE)

TOLERANCES UNLESS OTHERWISE STATED

FABRICATION	MACHINING		ANGULAR
	± 1	± 0.05	
2 to 30	0.5 up to 3	± 0.05	up to 400 ± .45
>30 up to 120	± 2	± 0.05	>400 up to 1000 ± .30
>120 up to 400	± 2	± 0.05	>1000 up to 1500 ± .20
>400 up to 600	± 2	± 0.05	>1500 up to 2000 ± .15
>600 up to 800	± 4	± 0.15	>2000 up to 400 ± 0.2
>800 up to 1000	± 4	± 0.15	>400 up to 600 ± 0.2
>1000 up to 1200	± 4	± 0.15	>600 up to 800 ± 0.2
>1200 up to 1400	± 8	± 0.3	>800 up to 1000 ± 0.5
>1400 up to 1600	± 8	± 0.3	>1000 up to 1200 ± 0.5
>1600 up to 1800	± 10	± 0.5	>1200 up to 1400 ± 0.5
>1800 up to 2000	± 12	± 0.5	>1400 up to 1600 ± 0.5
>2000	± 14	± 0.5	>1600 up to 2000 ± 0.5
>2000	± 16	± 0.5	>2000

**addfield**  
Incinerate • Cremate

Addfield Environmental Systems LTD  
Unit 9, Zone 4  
Burntwood Business Park  
Staffordshire  
www.addfield.com  
WS7 3XD

PROJECT: Mini AB Aqua

TITLE:

Sale GA

DATE	DRAWN	CHECKED	APPROVED	DATE	DRAWN	CHECKED	APPROVED	DATE	DRAWN	CHECKED	APPROVED
				17/10/2022	J. BRIDGEMORE						
COMMENTS											
ISSUE FOR MANUFACTURE											
SCALE: XX											
SCALE: XX											
SCALE: XX											

Addfield Environmental Systems LTD  
This drawing contains information or data that is the confidential and copyright property of Addfield Environmental Systems, and MUST NOT BE REPRODUCED, COPIED, LOANED, REPRODUCED or otherwise used for any purpose without the written permission of Addfield Environmental Systems.

DRAWING NO. Mini AB Aqua Sale GA  
REV -  
SHEET 1 OF 1  
SCALE: 1:40  
A3